



Bobcat®

COMPACT EXCAVATORS

E62



One Tough Animal®

E62 — SPECIFICATIONS

Weights

| | |
|--|-----------|
| Operating weight | 6130 kg |
| Additional weight for steel tracks | 206 kg |
| Additional weight for long dipperstick | 127 kg |
| Ground pressure with rubber tracks | 34.40 kPa |

Engine

| | |
|-------------------------------|------------------------|
| Make / model | Yanmar / 4TNV94L-ZXSDB |
| Fuel | Diesel |
| Number of cylinders | 4 |
| Displacement | 3054 cm ³ |
| Maximum NET power (ISO 9249) | 36.2 kW |
| Maximum NET torque (ISO 9249) | 206.0 Nm |

Performance

| | |
|--|----------|
| Digging force, dipperstick (ISO 6015) | 29300 N |
| Digging force, long dipperstick (ISO 6015) | 26200 N |
| Digging force, bucket (ISO 6015) | 44100 N |
| Drawbar pull | 55000 N |
| Travel speed, low range | 2.7 km/h |
| Travel speed, high range | 4.4 km/h |

Hydraulic System

| | |
|---|--|
| Pump type | One engine-driven tandem axial piston pump |
| Pump capacity | 132.00 L/min |
| Auxiliary flow | 85.00 L/min |
| System relief pressure for auxiliary circuits | 210.00 bar |

Slew System

| | |
|-------------------|---------|
| Boom swing, left | 70.0° |
| Boom swing, right | 50.0° |
| Slew rate | 9.6 RPM |

Fluid Capacities

| | |
|------------------------------------|----------|
| Cooling system | 10.00 L |
| Engine lubrication plus oil filter | 10.20 L |
| Fuel reservoir | 78.00 L |
| Hydraulic system | 111.00 L |

Environmental

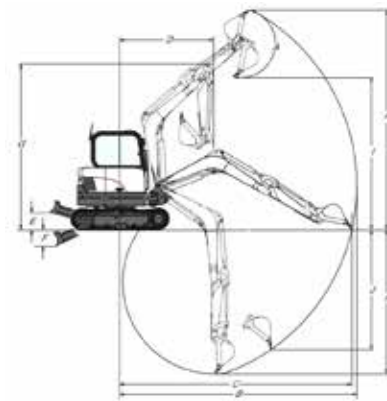
| | |
|--|-----------------------|
| Noise level LpA(EU Directive 2006/42/EC) | 73 dB(A) |
| Noise level LWA(EU Directive 2000/14/EC) | 97 dB(A) |
| Whole body vibration (ISO 2631-1) | 0.35 ms ⁻² |
| Hand-arm vibration (ISO 5349-1) | 0.94 ms ⁻² |

Standard Features

| | |
|--|--|
| 1980 mm dozer blade | TOPS/ROPS cab ¹ |
| 400 mm rubber track | Boom & arm safety valves |
| 5.7 inch LCD screen | Harness for rotating beacon |
| Engine/hydraulic monitor with shutdown | Fully adjustable air conditioning |
| Fingertip auxiliary hydraulic control | Overload warning device |
| Control console locks | Sun visor |
| Hydraulic joystick controls | Left rear view mirror |
| Two-speed travel | Electric refueling pump |
| Lockable storage compartment | Auto idle |
| Horn | Auto shift travel |
| Work lights | Auxiliary hydraulics (1st and 2nd circuits) |
| Retractable seat belt | Auxiliary hydraulic line on arm with quick couplers |
| Suspension seat with high back | Warranty: 12 months, 2000 hours (whichever occurs first) |
| Consoles with forwards/backwards adjustable displacement | |

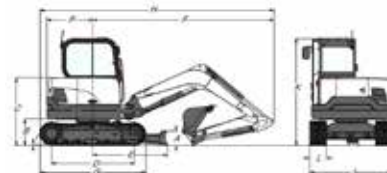
1. Tip Over Protective Structure (TOPS) – Meets requirements of ISO 12117

Working Range



| | |
|----------------|----------------|
| (A) 179.0° | (G) 4381.0 mm |
| (B) 6230.0 mm | (H) 5785.0 mm |
| (B) 6525.0 mm | (H*) 6005.0 mm |
| (C) 6100.0 mm | (I) 4045.0 mm |
| (C*) 6400.0 mm | (I*) 4260.0 mm |
| (D) 2530.0 mm | (J) 3125.0 mm |
| (D*) 2645.0 mm | (J) 3435.0 mm |
| (E) 460.0 mm | (K) 3815.0 mm |
| (F) 440.0 mm | (K*) 4115.0 mm |

Dimensions



| | |
|----------------|---------------|
| (A) 410.0 mm | (I) 21.0 mm |
| (B) 635.0 mm | (J) 1980.0 mm |
| (C) 1620.0 mm | (K) 2550.0 mm |
| (D) 1990.0 mm | (L) 400.0 mm |
| (E) 1870.0 mm | (M) 605.0 mm |
| (F) 4400.0 mm | (N) 829.0 mm |
| (G) 2500.0 mm | (O) 2530.0 mm |
| (H) 5670.0 mm | (P) 1100.0 mm |
| (H*) 5669.0 mm | (Q) 2147.0 mm |

Options

| | |
|---|------------------|
| Steel tracks | Long dipperstick |
| Third auxiliary hydraulic line (Clamshell Piping) | |



Bobcat is a Doosan Company.

Doosan is a global leader in construction equipment, power & water solutions, engines, and engineering proudly serving customers and communities for more than a century. Bobcat and the Bobcat logo are registered trademarks of Bobcat Company in the United States and various other countries.
©2017 Bobcat Company. All Rights Reserved.



Bobcat®

www.bobcat.com



Certain specification(s) are based on engineering calculations and are not actual measurements. Specification(s) are provided for comparison purposes only and are subject to change without notice. Specification(s) for your individual Bobcat equipment will vary based on normal variations in design, manufacturing, operating conditions, and other factors. Pictures of Bobcat units may show other than standard equipment.